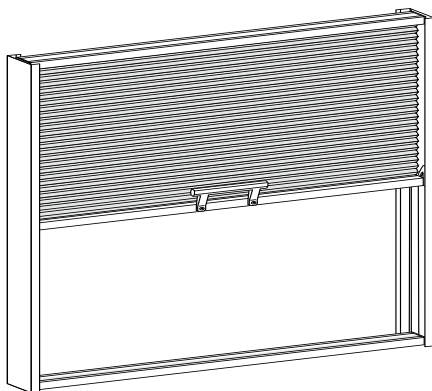




Honeycomb Skylight Shades Installation

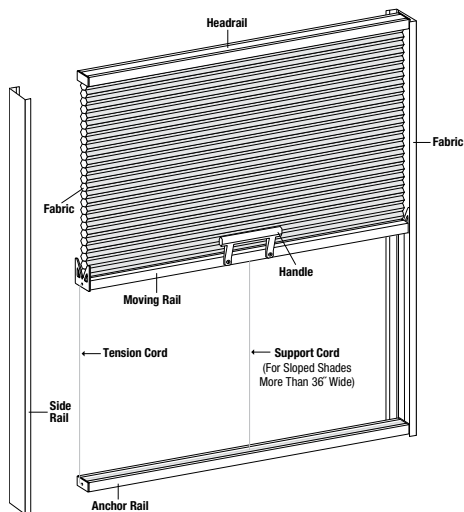


Getting Started...

- Thank you for choosing Pinnacle® Honeycomb Skylight Shades. With proper installation and care, your new Pinnacle® Honeycomb Skylight shades will provide many years of beauty and performance.
- To install Pinnacle® Honeycomb Skylight Shade you will need a few basic tools:
 - Measuring Tape
 - Power Drill and Drill Bits
 - Long Flat Blade Screwdriver
 - Phillips Screwdriver
 - Level

- In addition to the tools, you will need a supply of fasteners designed to work with your specific mounting surface to attach the installation brackets and side rails. Sheet metal screws work well with both wood and aluminum mounting surfaces. Expansion or toggle bolts are required with surfaces like drywall or plaster.

Mounting Surface	Fastener
Wood	No. 6 Hex Head Screws (provided)
Drywall, Plaster	Wall Anchors, Expansion Bolts (not provided)
Metal	Sheet Metal Screws (not provided)



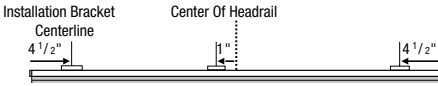
- Study the illustration at left to acquaint yourself with the shade terminology used in these instructions. Notice that five rails are used: headrail, moving rail, anchor rail, and two side tracks. All but the moving rail are attached to the mounting surface, either directly or via installation brackets. The side tracks and rails can be positioned inside or outside the window opening, depending upon whether the shade was ordered as an inside mount or an outside mount.
- The Pinnacle® Honeycomb Skylight Shade installation Instructions are organized into five easy steps. Please read these instructions all the way through and make sure you have all the necessary materials before you begin to work.

1. Attach the Brackets

BRACKET SPACING

- Two installation brackets are positioned so that their centerlines will be $4\frac{1}{2}$ " from the ends of the headrail.
- If your shade has a support cord, position a third bracket 1 " to the left of the center of the headrail. Measure and mark all bracket centerlines.
- For outside mount applications use brackets to mount the anchor rail.
- For inside mount applications the anchor rail is attached directly to the wall with screws.

Diagram 1A



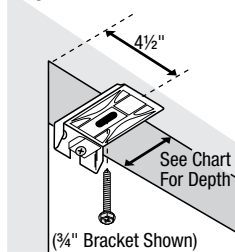
INSIDE MOUNT APPLICATIONS

- To fully recess the shade, the flat surface of the sill must meet or exceed the measurements in the chart below.
- If there are obstructions such as cranks or handles, add the measurements of those obstructions to your minimum depth.

Fabric Pleat Size	Minimum Depth	Flush Mount
$\frac{3}{8}$ " Standard	$\frac{7}{8}$ "	$1\frac{11}{16}$ "
$\frac{3}{4}$ " Double, Triple Honeycomb	$1\frac{1}{8}$ "	$2\frac{1}{2}$ "

- Attach the brackets to **the top sill** of the window opening, as shown. Place the screws on the centerlines you marked and align the brackets so that their front edges are recessed $\frac{3}{8}$ ".
- If the **anchor rail** does not have mounting holes, attach brackets to the bottom sill directly under the brackets on the top sill. Then attach anchor rail to the brackets.

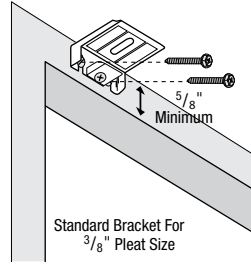
Diagram 1B



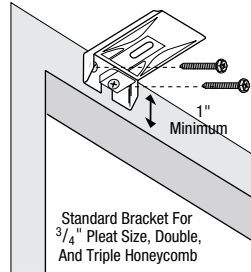
OUTSIDE MOUNT APPLICATIONS

- The back of the bracket must be flush against a flat mounting surface. See minimum mounting surface heights in diagram 1C.
- Along the centerlines you marked, measure up to the minimum height requirement for the pleat size ordered, see diagram 1C. Mark this position. Center a bracket on each centerline at the height mark you just established. Attach brackets using two fasteners.

Diagram 1C



For $\frac{3}{8}$ " pleat:
 $\frac{5}{8}$ " minimum mounting surface height



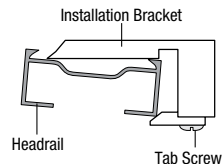
For $\frac{3}{4}$ " pleat:
 1 " minimum mounting surface height

- Use a level to check that brackets are aligned.
- The headrail and anchor rail brackets must be perfectly parallel and separated by a distance equal to the length of the side tracks. Be sure the brackets for each rail are aligned at the same height.

2. Install the Headrail

- The headrail, fabric, moving rail and anchor rail are bundled together with plastic bands. Do not remove the plastic bands until after the side tracks are mounted (step #3).
- With the front (colored) side of the fabric facing you, slip the headrail into the installation brackets. The front lips on the brackets fit into the front groove on the top of the rail.
- Push on the rail until it snaps into place.
- Make sure no fabric is trapped between the headrail and the tabs on the installation brackets. Tighten the tab screw on each bracket until it is just snug. *Do not over tighten.*

Diagram 2A

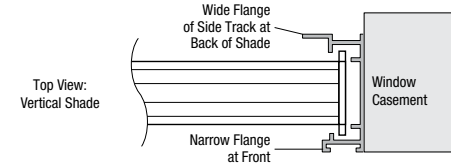
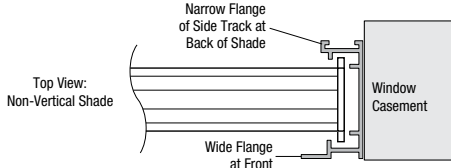


3. Mount the Side Tracks

INSIDE MOUNT APPLICATIONS

- Attach the side tracks to the inside of the window using the pre-drilled holes on alternate sides of the track centerline.
- For sloped installations, align the wide flange with the front edge of the window opening.
- For vertical installations, align the wide flange flush with the edge of the opening.
- Make sure the rails are centered within the side tracks.

Diagram 3A

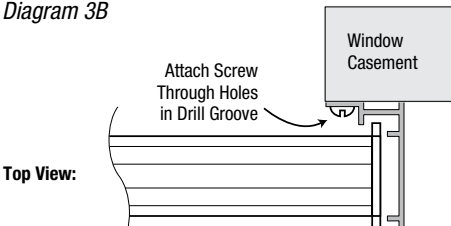


- After the side tracks are mounted, make sure they are parallel. Measure the distance between them at top and then again at bottom. There must not be more than 1/4" difference in the two measurements. If necessary, install wooden shims under mounting screw locations, starting at the ends of side tracks until they are parallel.

OUTSIDE MOUNT APPLICATIONS

- The side tracks will have holes drilled in the groove near the edge of the wide flange.
- Attach the wide flange to the outside of the window casement using the appropriate fasteners.
- Measure the distance between the side rails at the top and bottom of the window to make sure the rails are parallel.

Diagram 3B



4. Install the Anchor Rail

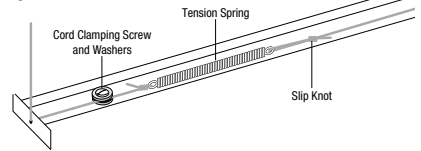
- Cut the plastic holding the rails and fabric together.
- Lower the anchor rail to the bottom of the side tracks, being careful not to tangle the cords.
- Make sure the open side of the anchor rail faces up with the spring and cords exposed. The open side may be covered by a fabric strip. If so, remove it to make any shade adjustments.
- **Outside mounts** - snap the anchor rail into the installation brackets.
- **inside mounts** - Screw the anchor rail directly to the sill.
- Center the rail within the side tracks before mounting.

5. Adjust the Shade

TENSION CORDS

- The moving rail should slide easily yet hold its position when it is released. Adjust the tension cords in the anchor rail if the moving rail does not slide properly.
- Move the slip knot to the right to increase tension. Do not stretch the spring to a length greater than 5 1/2."
- Move the slip knot to the left to decrease tension.

Diagram 5A



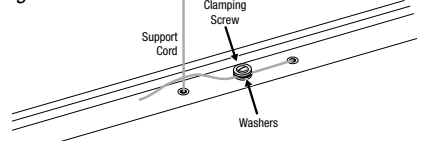
MOVING RAIL POSITION

- The moving rail should be parallel to the anchor rail so that the two rails make even contact when closed.
- To adjust the moving rail if it is not parallel to anchor rail, loosen the cord clamping screw and slide the cord between the two washers.
- Then re-tighten the screw, making sure the cord is still between the two washers. *Do not change the cord tension when making this adjustment.*

SUPPORT CORD Tension (if applicable)

- If the shade has a support cord, it should be very taut.
- To make an adjustment, loosen the support cord clamping screw, pull the cord through the two washers to the desired tension, then re-tighten the screw. Make sure the cord is held tightly between the two washers.

Diagram 5B

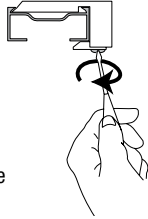


FINAL ASSEMBLY

- After making any necessary adjustments, fit the fabric strip into the anchor rail to cover the internal hardware.
- Attach the handle to the moving rail using the screws provided.

Removing the Shade

- Fully raise the shade.
- Unscrew the tab screw on each bracket to release the headrail.
- If you used brackets to install the anchor rail, unscrew the tab screw on each bracket to release the anchor rail.
- If you did not use brackets to install the anchor rail, remove the fabric strip, then remove the screws to release the anchor rail.



Lifetime Limited Warranty

Pinnacle® Honeycomb Skylight Shades will be free from defects in materials and workmanship for as long as the original purchaser owns the product, provided that the product was installed properly and in accordance with the honeycomb shade installation instructions. This lifetime limited warranty is extended to the original purchaser only, in the original window for which it was intended.

This warranty does not include any conditions or damages resulting from accidents, alterations, misuse, abuse, or failure to follow printed instructions on installation, care and cleaning, or repairs. This warranty also does not apply to conditions resulting from normal wear and tear.

PINNACLE®