

PINNACLE®

PrivacyPlus

Premium Cut-Down Faux Wood Blinds

- 2" and 2 1/2" Privacy Slats in Pure White
- Cordless with Wand Tilt assuring additional safety for children and pets
- Slats are attached to ladder so they won't shift side to side
- Integrated Light Block on Headrail
- Contoured Comfort Grip Bottom Rail makes raising and lower blind simple and easy
- Premium Valance Included



Attached-ladder design, slats stay in place and won't shift from side to side.



Contoured bottom rail to easily grasp at center to raise and lower blind.



Tilt wand easily snaps into recessed socket. PrivacyPlus Valance is included with each order at no charge.



Valance included with 2" and 2 1/2" PrivacyPlus Faux Wood Blinds

FEATURE	BENEFIT
• Premium Cut Down Blind	Allows competitive pricing for a high quality blind.
• Cordless	Assures safety for children and pets. WCMA compliant.
• Privacy Slats available in 2" and 2 1/2"	No visible rout holes - exclusive light blocking feature.
• Ladder attached to slats	Slats stay in place and will not shift from side to side.
• Strong, Light Weight Slats	Easier to lift for smooth operation and extended life of blind.
• Durable, color fast faux wood slats	500 hours of UV light fastness to ensure slats will not yellow.
• Faux wood slats withstand temperatures of 140° F	Ensures slats will not warp in very hot environments.
• Available in Pure White	Our most popular white.
• Limited Lifetime Warranty	Confidently Sell Pinnacle PrivacyPlus Blinds.
• Fire Retardant	Meets NFPA 701 Fire Retardant standards.
• Steel Pinion Rod	Adds durability to the blind.
• Wand Tilt Control	Provides smooth operation and tight closure. Tilt Wand snaps in on the left.
• 3 1/4" Decorative Valance with Returns	Included at no additional charge, valance coordinates with decorative trim.
• Additional Valance Available	Wider widths available to allow for multiple blinds under one valance.
• Adjustable Valance Clips	Allows for quick installation and a custom look.
• Contoured Bottom Rail	Comfort grip for easy raising and lowering.
• Headrail with Integrated Light Block	Sleek Headrail, no valance required. Eliminates light gap.
• Hold Down Brackets	Included with each blind.
• Back Loading Brackets	Hidden brackets in coordinating white finish. Box brackets available.
• Lead and V.O.C. free	Manufactured with no dangerous chemicals.

PINNACLE®
PrivacyPlus

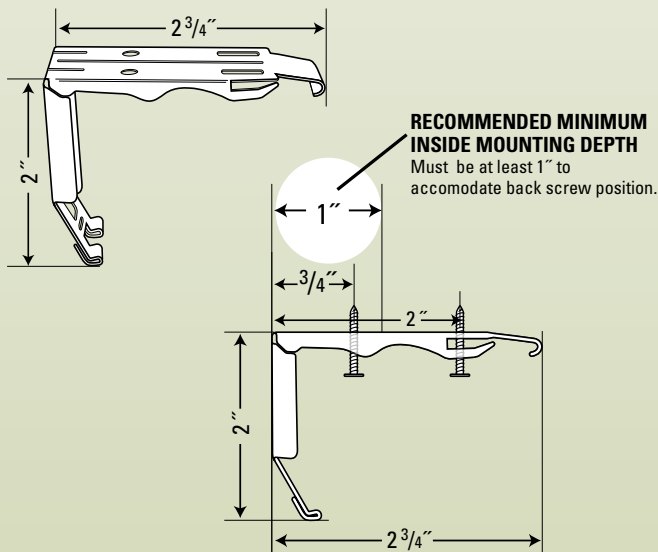
Premium Cut-Down Faux Wood Blinds

Brackets Details and Limitations

Back Loading - Hidden Brackets

Standard Bracket for use with Privacy Plus Blinds

Inside Mount Deduction - 1/2"



Limitations

- Not available with multiple blinds on one headrail.
- Not available with cloth tapes or cutouts.
- Alignment of slats not guaranteed on side by side blinds.

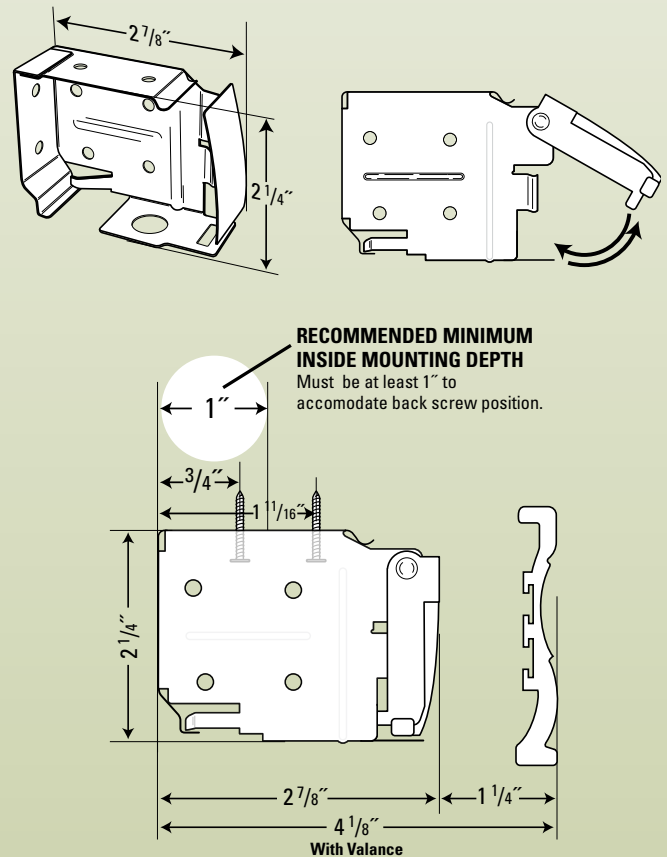
Size Limitations *(overall size cannot exceed 48 sq. ft.)*

- Minimum Width.....21" Maximum Width..... 96"
- Minimum Height18" Maximum Height..... 96"

Box Brackets - Item # HW-MB101-XA

Available (specify when ordering, surcharge applies)

Inside Mount Deduction - 1/2"



phone 800.334.1207 • fax 800.400.1795

www.unitedsupplyco.com



Charlotte, NC • Atlanta, GA • Nashville, TN • Raleigh, NC • Pittsburgh, PA • Chicago, IL